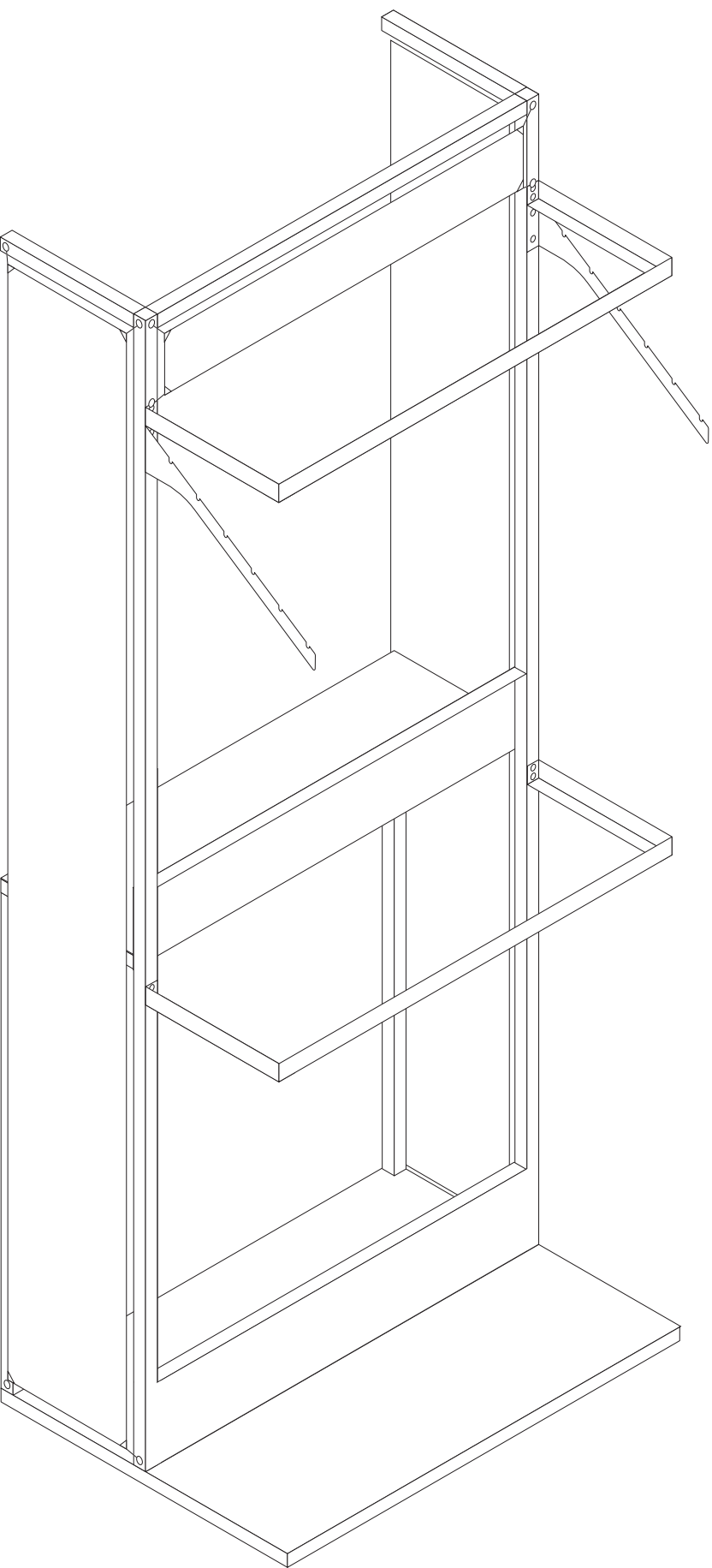
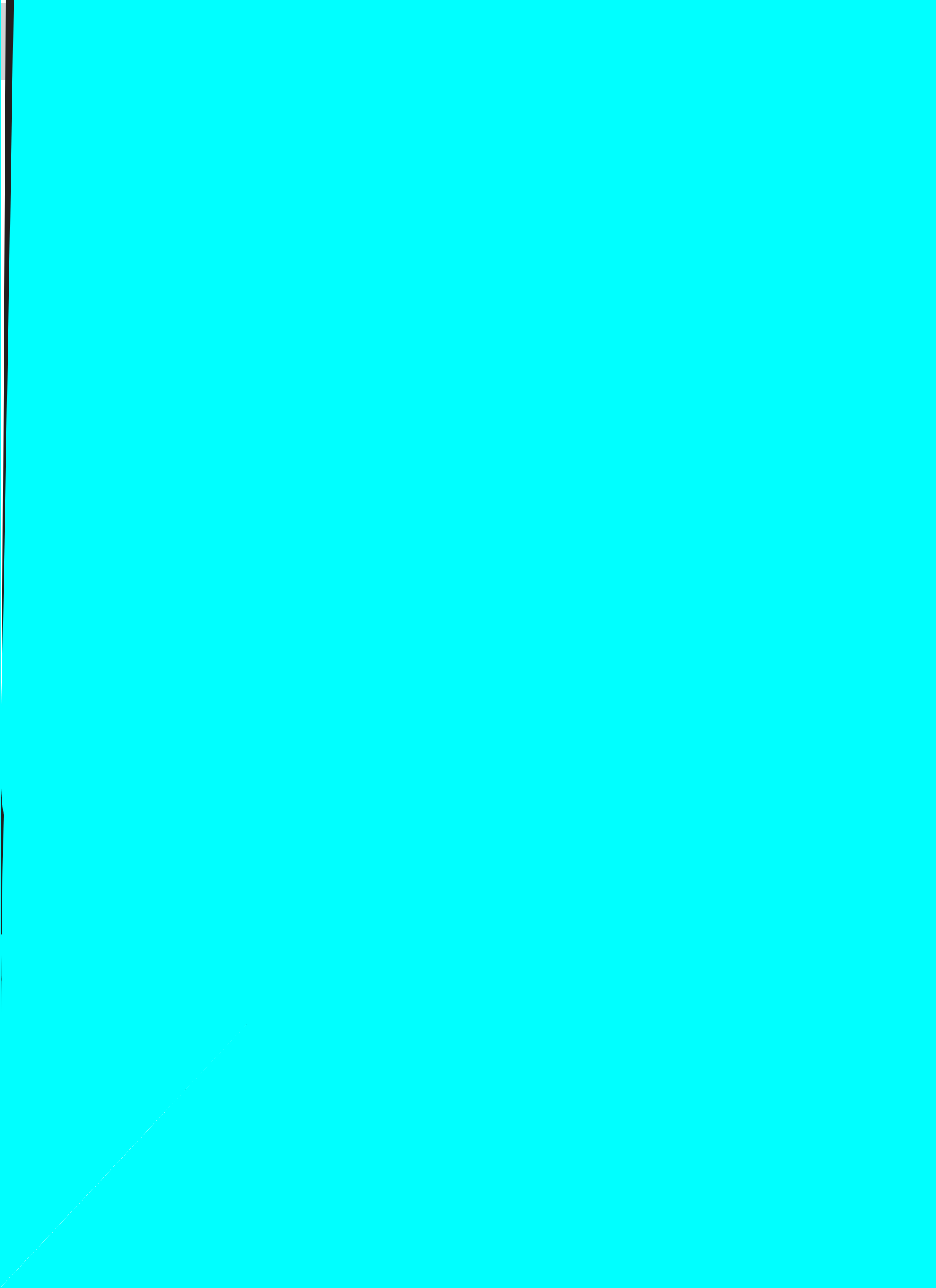
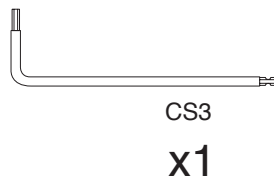
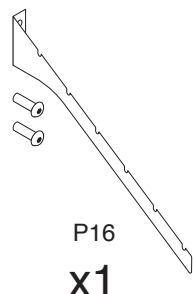
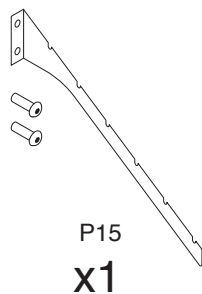
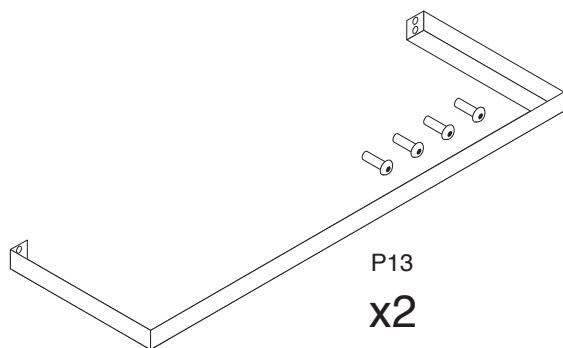
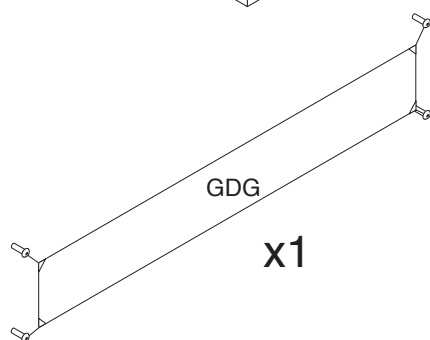
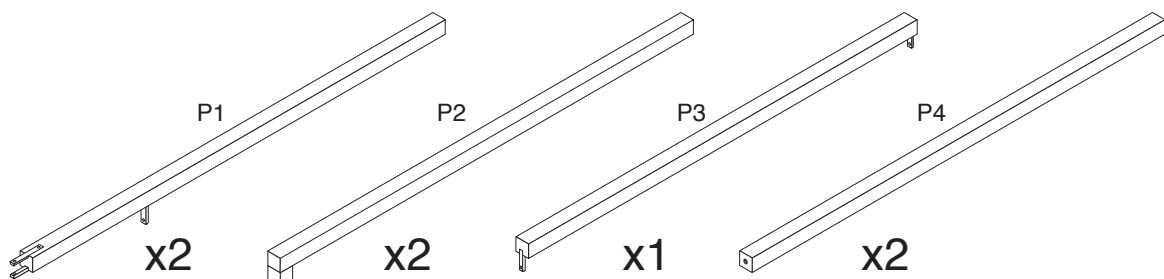
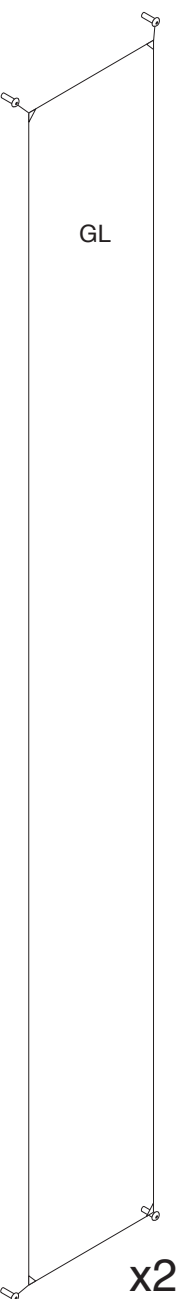
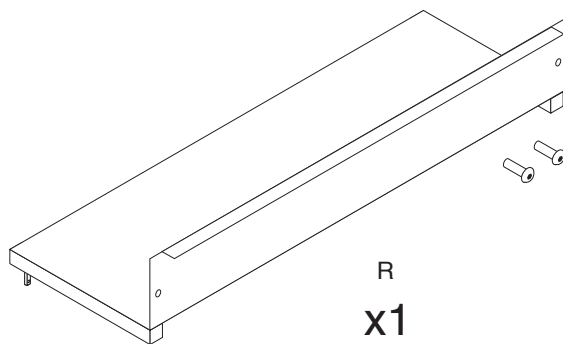
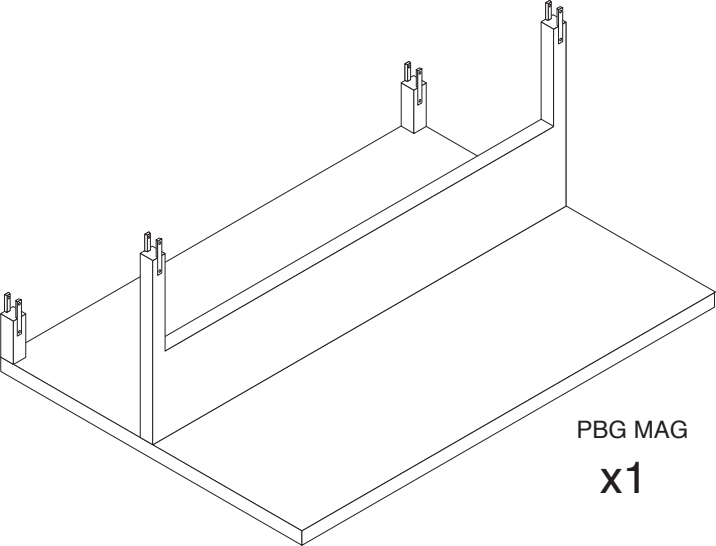


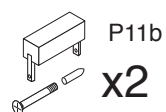
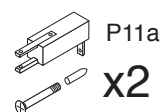
:igghins

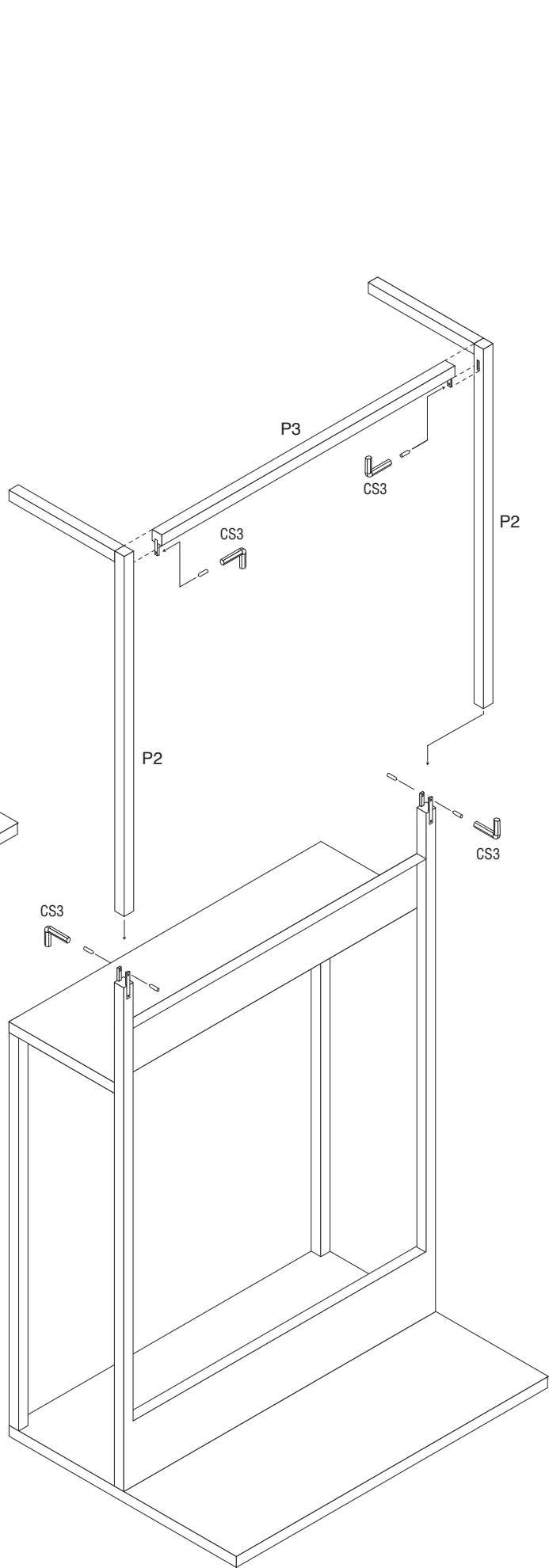
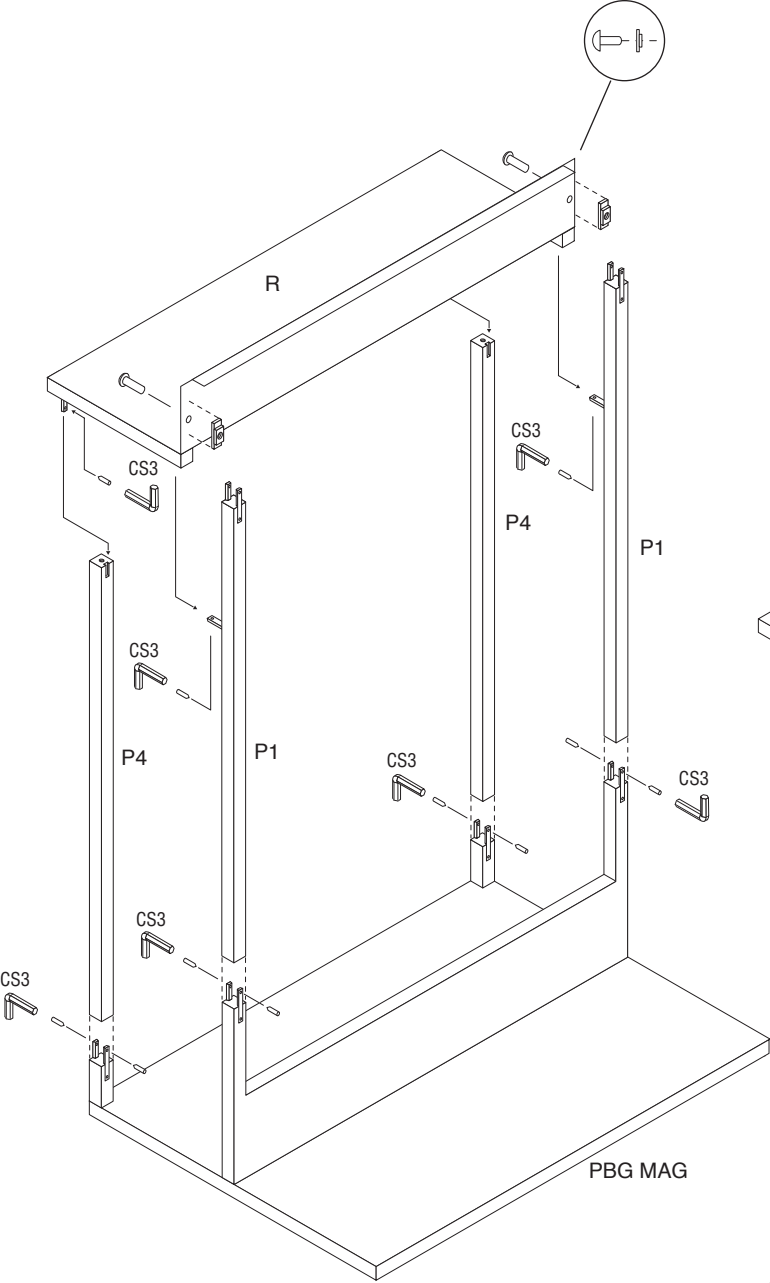


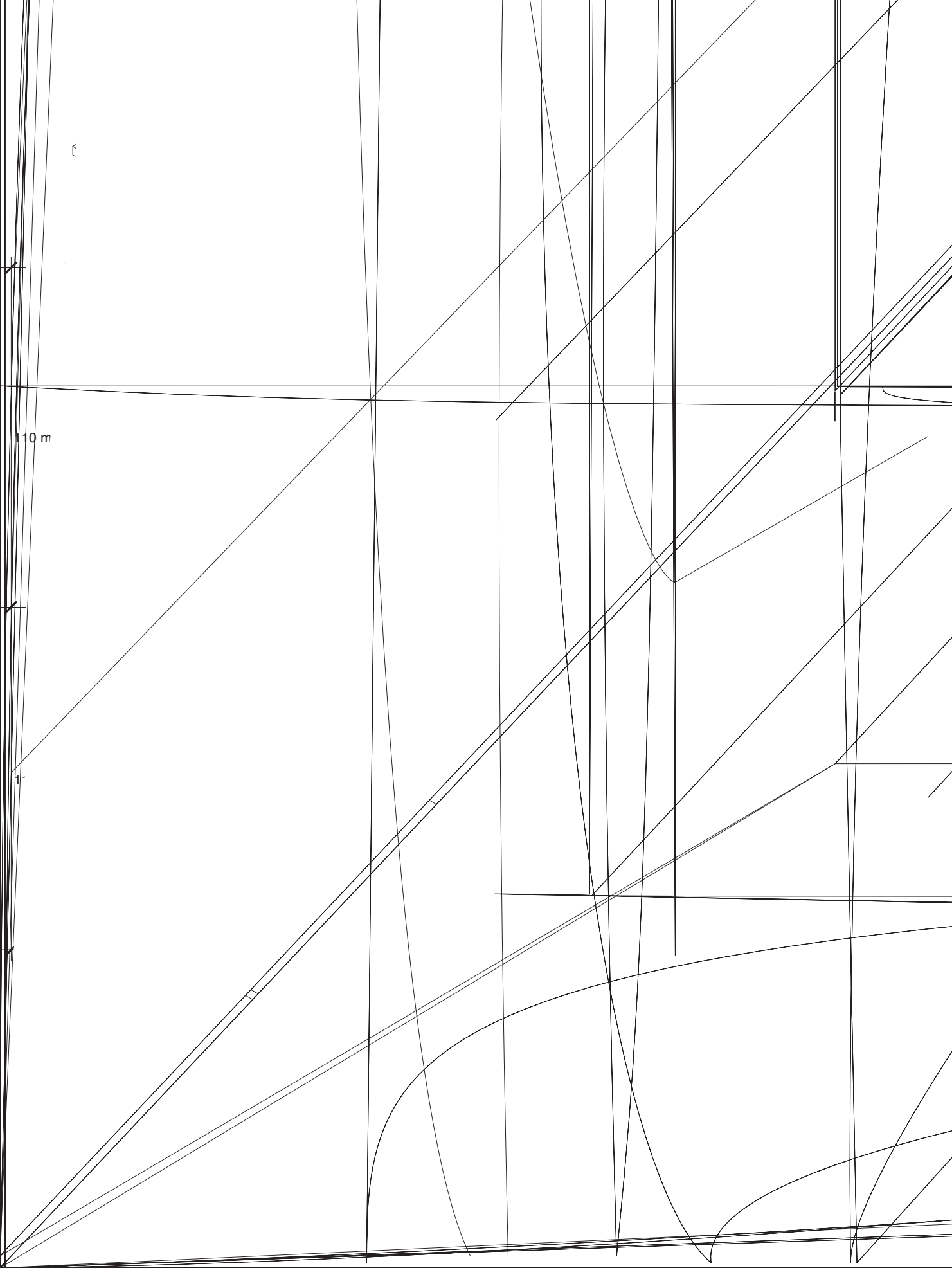




optional



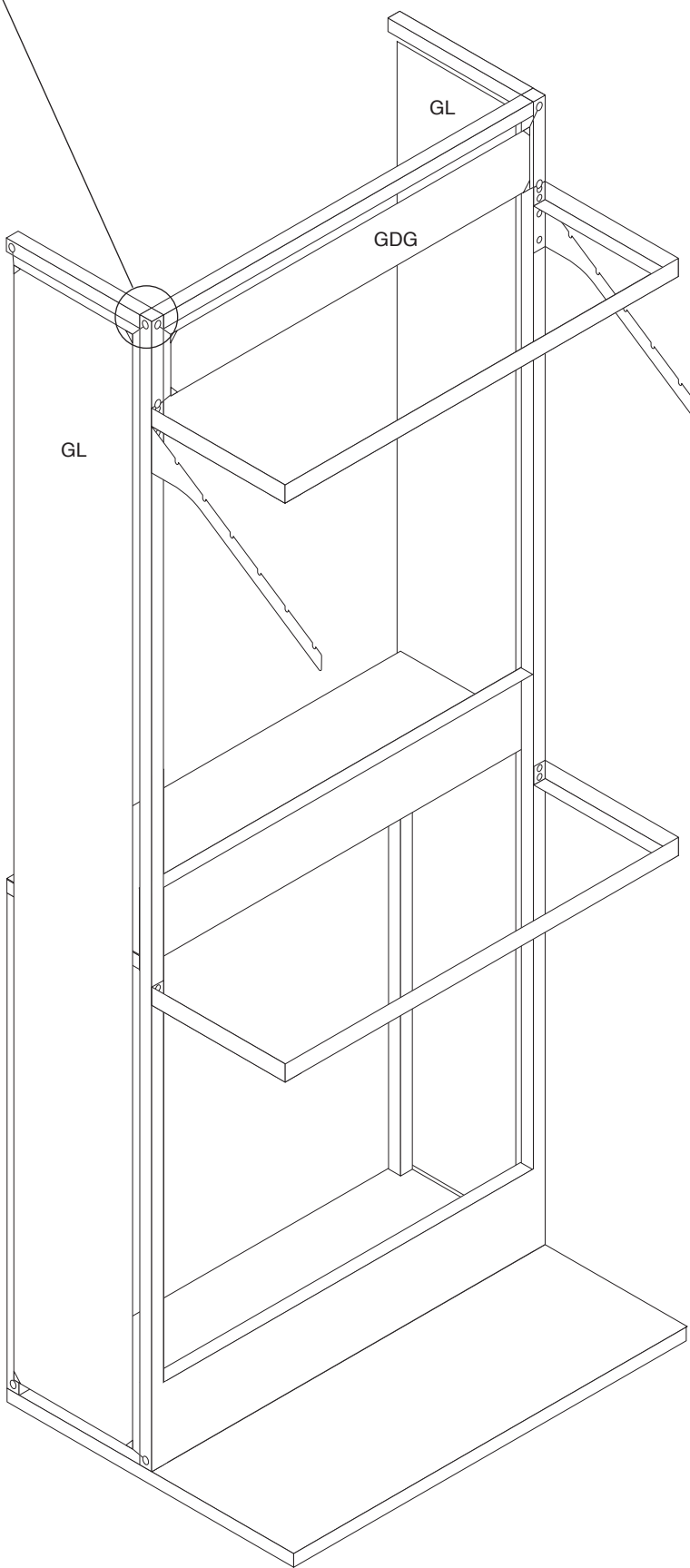
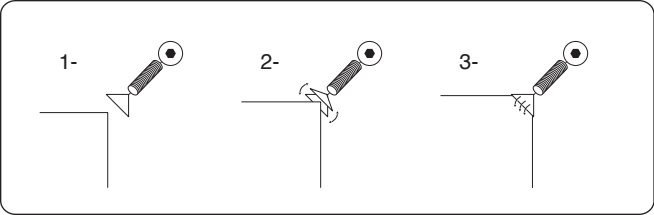


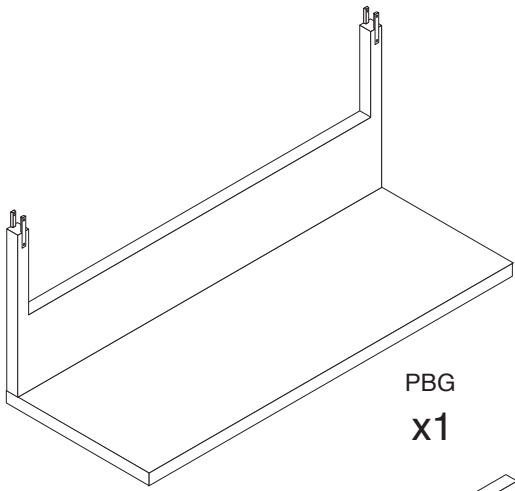


ε

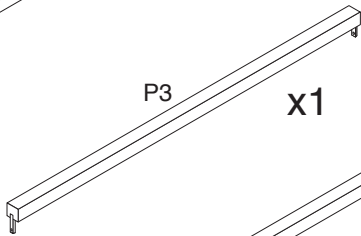
10 m

1-

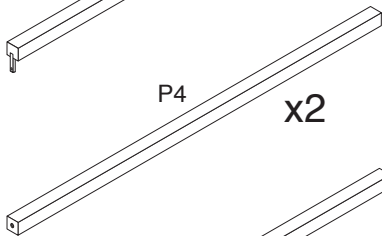




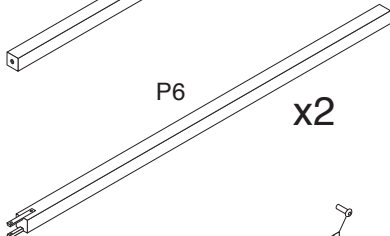
PBG
x1



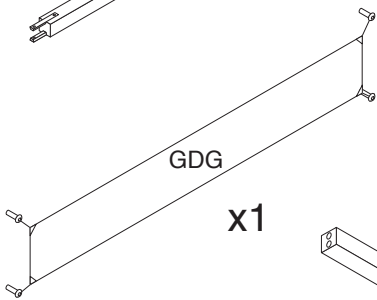
P3
x1



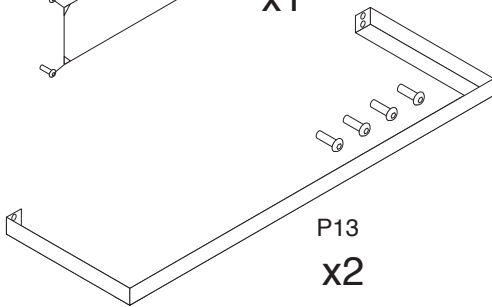
P4
x2



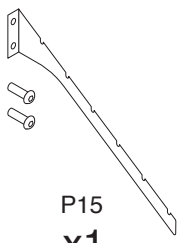
P6
x2



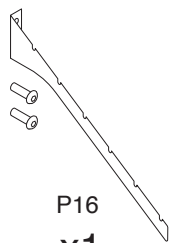
GDG
x1



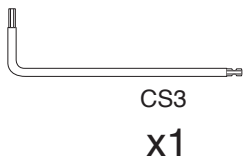
P13
x2



P15
x1



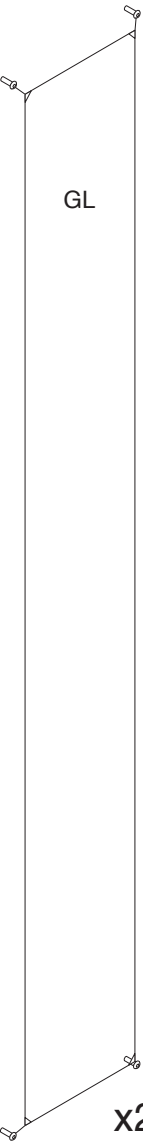
P16
x1



CS3
x1

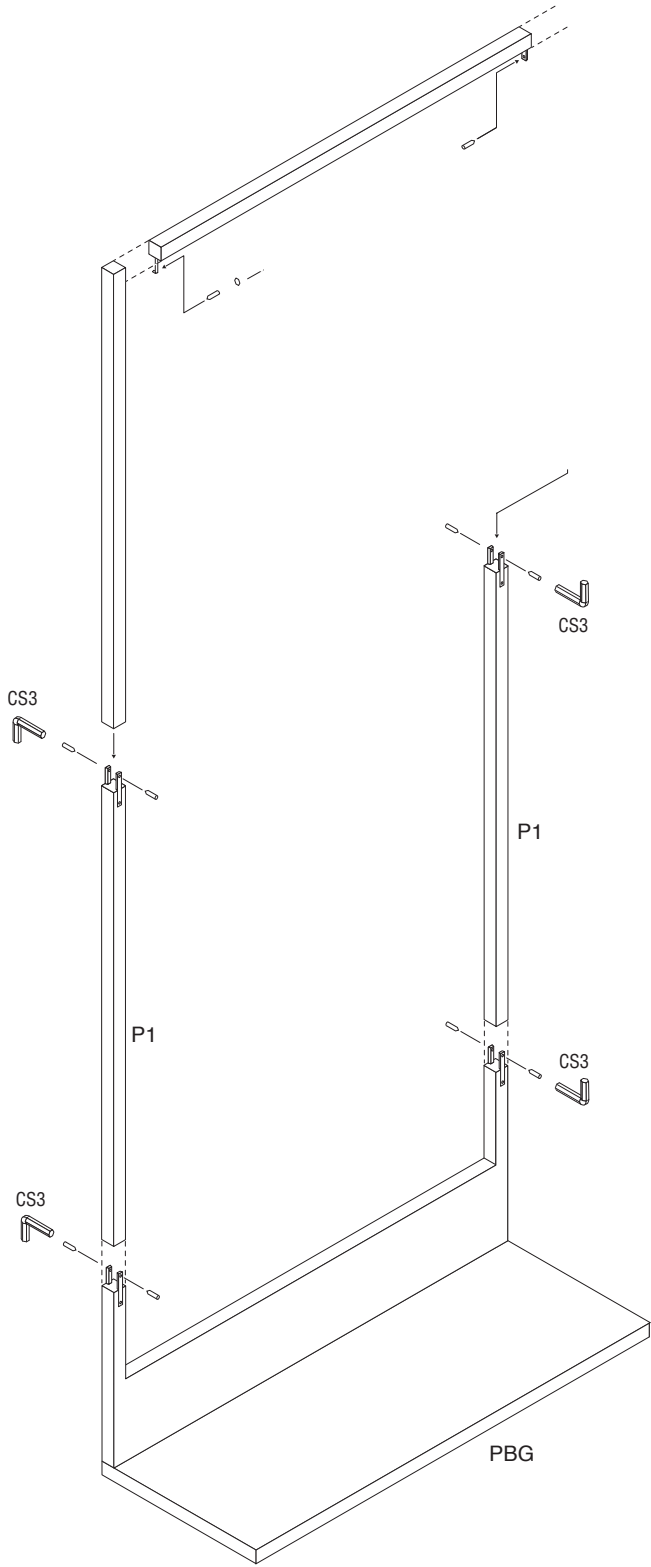


B12
x10



GL

x2



CS3

CS3

P1

P1

CS3

CS3

PBG

